

SOHO ON-WALL ACP



ACP-OW-55/53/14

➤ **SOHO On-Wall ACP** racks are installed directly on the wall. This distribution enclosure gives great deployment flexibility, while offering a more aesthetically pleasing and cost-effective solution to the developer/homeowner.

MAIN ADVANTAGES

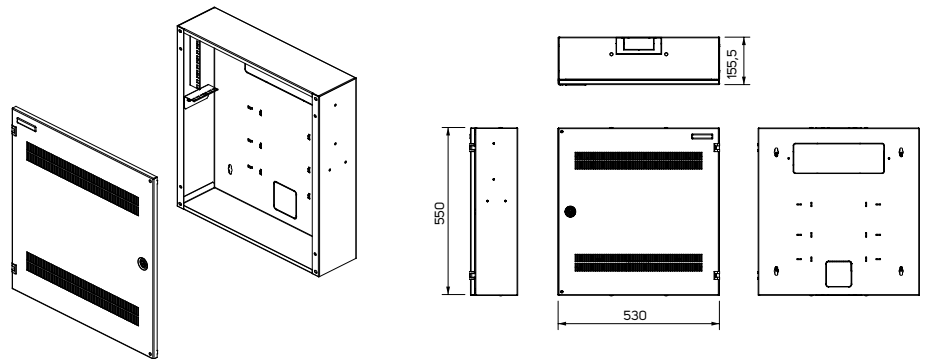
- Equipped with extrusions for both active equipment installation (2U) and mounting passive components (4U)
- Offers access to installed equipment through front door

COLOR SAMPLER:  RAL 7035

Code	Box dimensions (mm)			Vertical extrusions		Horizontal extrusions		External dimensions including packing (mm)			Gross weight (kg)
	H	W	D	U *	UD **	U *	UD **	H	W	D	
ACP-OW-55/53/14	550	530	155	4	90	2	300	630	595	170	12

* Length of extrusions in units

** Max. depth of installed equipment in mm



DESCRIPTION:

Sizes

- Height: 550 mm
- Width: 530 mm
- Depth: 155 mm

Construction

- Box and door made of 1.25, 1.5, and 2 mm sheet steel

Colors

- Standard RAL 7035

Load rating

- 20 kg

Front door

- Door opening angle 180°
- Perforated door for effective ventilation with lock

Cable entries

- Knock-out at bottom for internal electrical outlet
- Multiple 22.6 mm conduit knock-outs on all sides of box
- Cable tie bump outs on rear side of box

STANDARD CONFIGURATION:

- 1 pair of fixed 19" horizontal extrusions (2U)
- 1 pair of fixed 19" vertical extrusions (4U)
- Sheet steel perforated door with lock

Note: All dimensions in mm

www.conteg.com



CONTEG, spol. s r.o.

Headquarters:

Na Vítězské pláni 1719/4
140 00 Prague 4
Czech Republic
Tel.: +420 261 219 182
conteg@conteg.com
www.conteg.com

Production plant:

K Silu 2179
393 01 Pelhřimov
Czech Republic
Tel.: +420 565 300 300

Local Branches/Offices:

Austria/Germany/Switzerland:	+420 261 219 182
Benelux:	+31 76 5420 709
Southeastern Europe:	+49 172 8484 346
Finland:	+358 50 414 1257
France/Italy/Maghreb:	+33 1 60 04 55 90
Middle East:	+971 55 508 3241
Russia/CIS:	+7 495 967 3840
Saudi Arabia:	+966 54 000 2341

CONTEG