



CONTEG[®]
to complete your network

Headquarters in Prague, Czech Republic:
Tel.: +420 261 219 182, Fax: +420 261 219 192
conteg@conteg.com, www.conteg.com

Czech Republic:	+420 261 219 182
Eastern Europe:	+49 172 848 4346
France:	+33 686 074 386
GER, SUI, AUT:	+49 170 523 4958
Middle East:	+971 4 609 1226
Russia:	+7 495 506 13 28
Western Europe:	+32 476 215 089

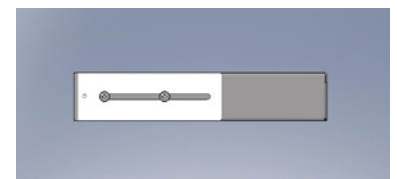
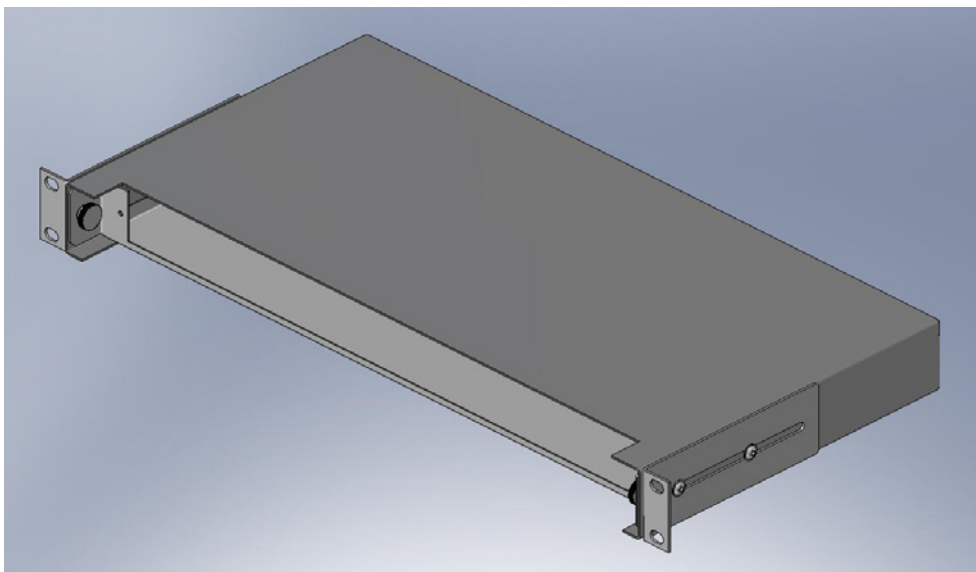
Cut Sheet

ORVE-01-250

Cut_Sheet_EN_25-05-09_conteg©

ORVE-01-250 is a telescopic 19" fiber-optic splice box, which is used for termination of optical cables in racks.

- Type - telescopic
- Construction from 1mm (telescopic part), 1.25mm (fixed part) and 1.5mm (brackets) sheet steel
- Height 1U
- Width 19"
- Depth 250mm
- Modular front panels not included
- Cable entry opening in rear part
- Holes not in use can be covered with blank modules
- Installation in rack with two sliding holders
- Wide range of accessories (optionally)
- Color powder coated RAL (standard RAL 9005)



side view



front view



rear view

OPTIONAL - TYPES OF MODULAR FRONT PANELS				
Code	NUMBER OF HOLES FOR FO COUPLINGS			
	8	12	16	24
OR-xxST	yes	yes	yes	yes
OR-xxSC	yes	yes	yes	yes
OR-xxDSC	yes	yes	yes	no
OR-xxFC	yes	yes	yes	yes
OR-xxFCD	yes	yes	yes	yes

xx... Number of holes

Code	W	D in mm	H	Description
ORVE-01-250	19"	250	1U	Telescopic