

19" BLANK AND VENTED PANELS

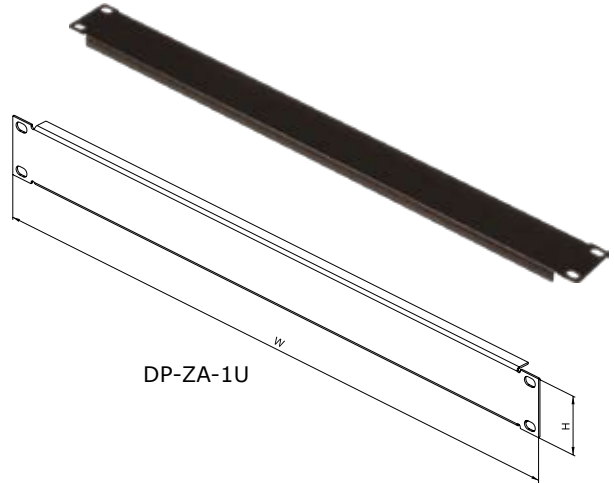
19" BLANK PANELS

Used to cover empty positions in rack to minimize by-pass airflow and enhance aesthetic appearance.

Description:

- Height 1, 2, 3, and 5U
- Color powder coated RAL (standard RAL 9005)

19" BLANK PANELS		
Code	Height	Width
DP-ZA-1U	1U	19"
DP-ZA-2U	2U	19"
DP-ZA-3U	3U	19"
DP-ZA-5U	5U	19"



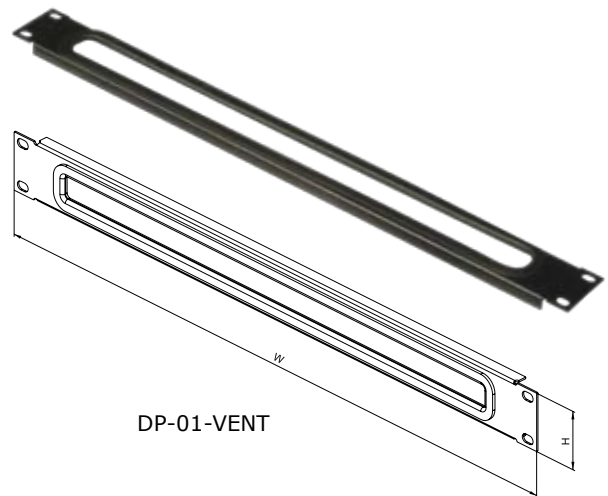
19" VENTED PANEL

Enables front to rear cable passage through empty positions in rack.

Description:

- Height 1U
- Width 19"
- Color powder coated RAL (standard RAL 9005)

19" VENTED PANEL		
Code	Height	Width
DP-01-VENT	1U	19"



19" VENTED PANEL WITH BRUSH

Enables front to rear cable passage through empty positions in rack whilst helping to minimize by-pass airflow.

Description:

- Types:
 - a) with brush
 - b) with brush and cable management
- Vented panel with brush and cable management has cable management bar on back and two cable brackets 40x50mm on sides
- Height 1U
- Color powder coated RAL (standard RAL 9005)

19" VENTED PANELS WITH BRUSH			
Code	Height	Width	Depth in mm
DP-BP-01	1U	19"	--
DP-BP-02	1U	19"	85
DP-BP-03	1U	19"	--

