

Telescopic Fiber-Optic Splice Box ORVM-01



CONTEG spol. s r. o.
 Na Vítězné pláni 1719/4
 140 00 PRAHA 4
 CZECH REPUBLIC
 Tel.: +420 261 219 182
 Fax: +420 261 219 192
 www.conteg.com

Types of modular front panels for FO splice boxes

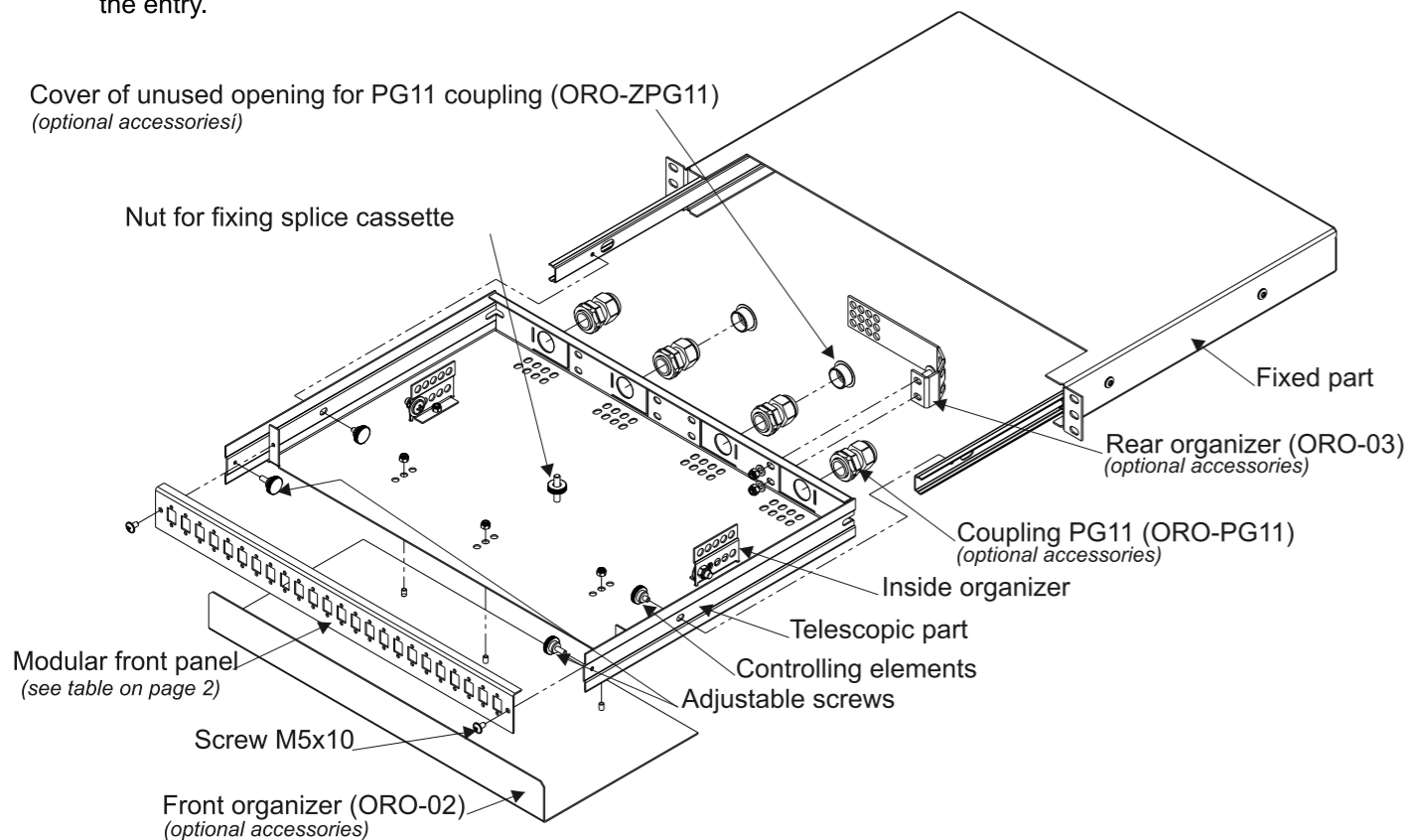
No. of holes	FO coupling type				
	DSC	SC	ST	FC	FCD
8	✓	✓	✓	✓	✓
12	✓	✓	✓	✓	✓
16	✓	✓	✓	✓	✓
24	-	✓	✓	✓	✓

Example of code: OR-16DSC

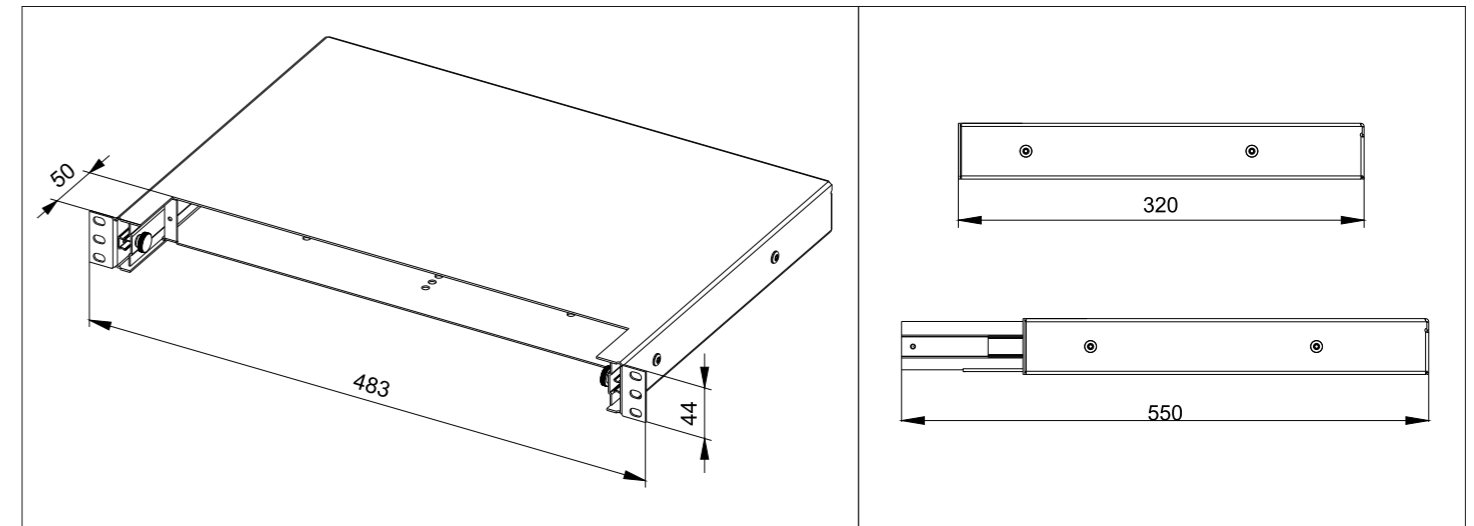
Assembly and installation guide of telescopic fiber-optic splice box

- Telescopic fiber-optic splice box with modular front panel consists of the following parts:
 - 1) Fixed part of FO box
 - 2) Telescopic part of FO box
 - 3) Inside organizer
- FO box is installed in 19" extrusions by using mounting kits (DP-MO-01).
- Loosening two adjustable screws by about 6mm will enable pulling out telescopic part.
- To take out telescopic part, unscrew two controlling elements. After that remove telescopic part by sliding it out of rails.
- To install back, reverse the process.
- Inside organizer is fixed by nut M4 (see figure). Screw M6 with washer and nut is used for fixing incoming cables on inside organizer.
- Two ways of fixing incoming cables:
 - 1) PG11 couplings (angle of incoming cable is possible to adjust as needed by bending openings with PG couplings)
 - 2) Bending openings for PG couplings, then leading cable through open entry and fixing (cable ties) to perforation by the entry.

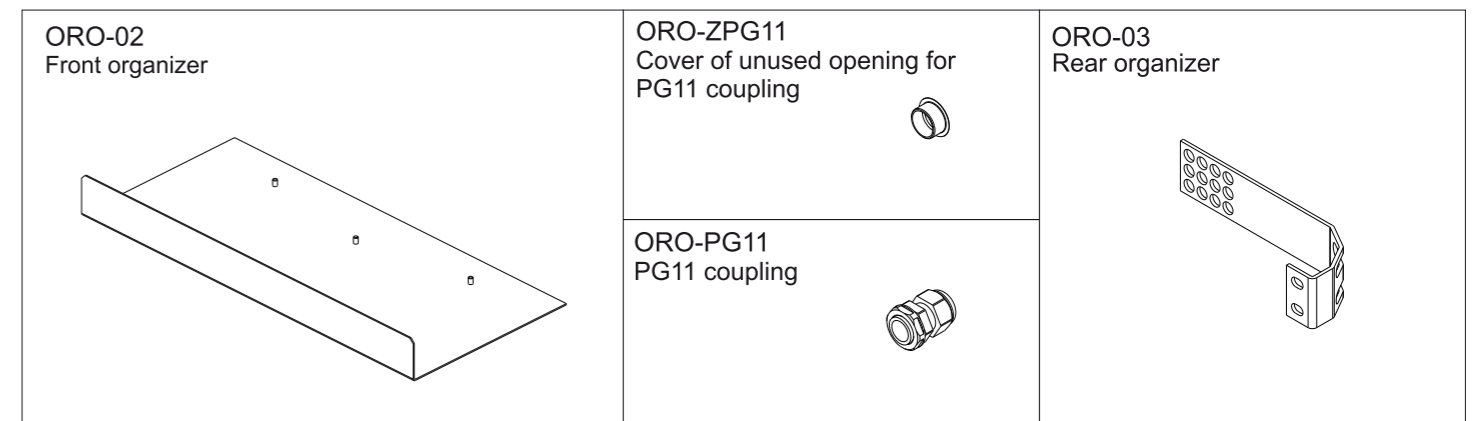
Cover of unused opening for PG11 coupling (ORO-ZPG11)
 (optional accessories)



Measurements of FO splice boxes



Optional accessories



Additional accessories for cable managing

- Front organizer (ORO-02) for horizontal cable managing. Installation by 3 nuts M4 on bottom telescopic part of FO box. Depth of front organizer can be adjusted - 67, 77, or 87mm.
- Rear organizer (ORO-03) is used for managing incoming cables, see section 2 above.

980 012 REV. B