

Telescopic Fiber-Optic Splice Box ORVM-01-250



CONTEG spol. s r. o.
 Na Vítězné pláni 1719/4
 140 00 PRAHA 4
 CZECH REPUBLIC
 Tel.: +420 261 219 182
 Fax: +420 261 219 192
 www.conteg.com

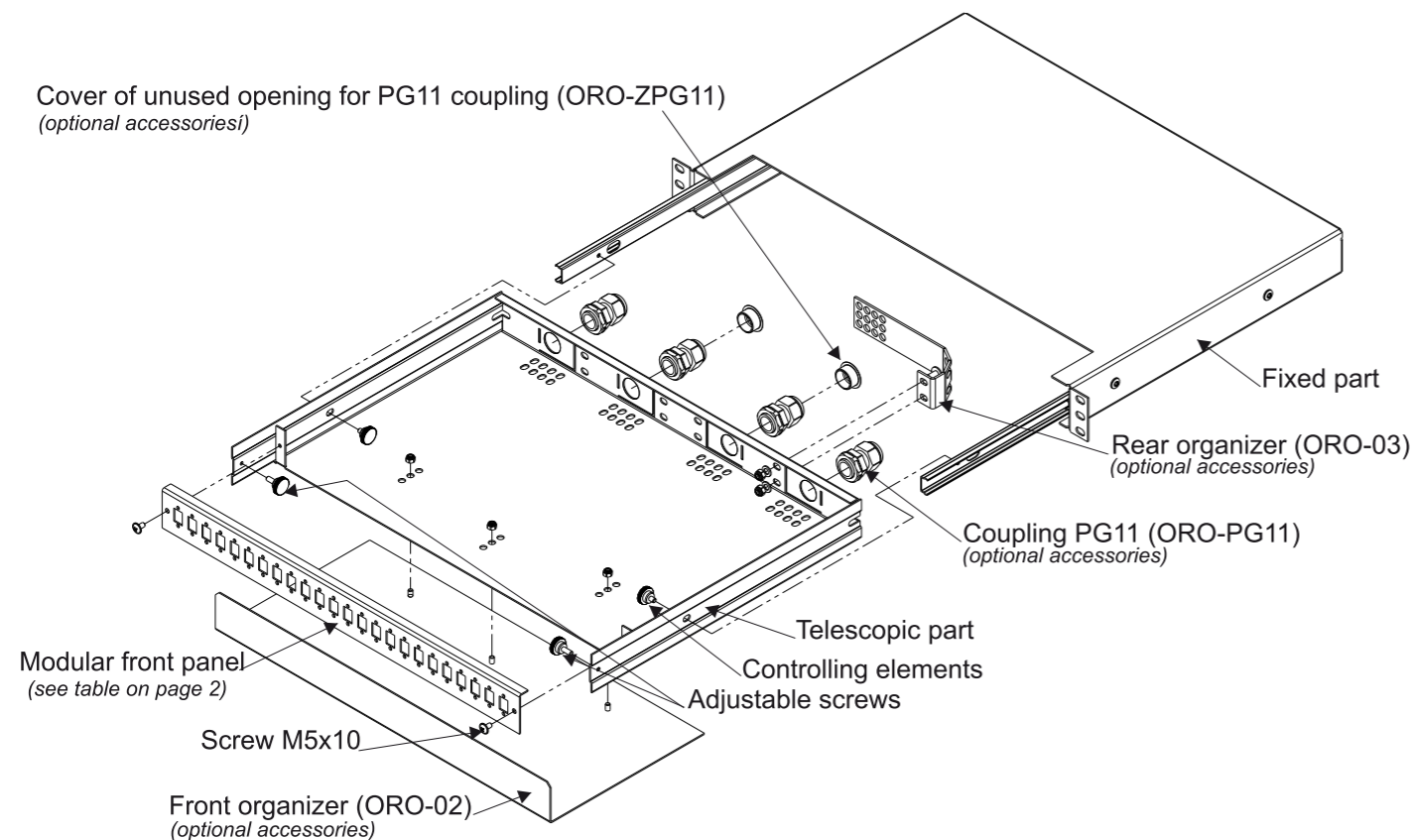
Types of modular front panels for FO splice boxes

No. of holes	FO coupling type				
	DSC	SC	ST	FC	FCD
8	✓	✓	✓	✓	✓
12	✓	✓	✓	✓	✓
16	✓	✓	✓	✓	✓
24	-	✓	✓	✓	✓

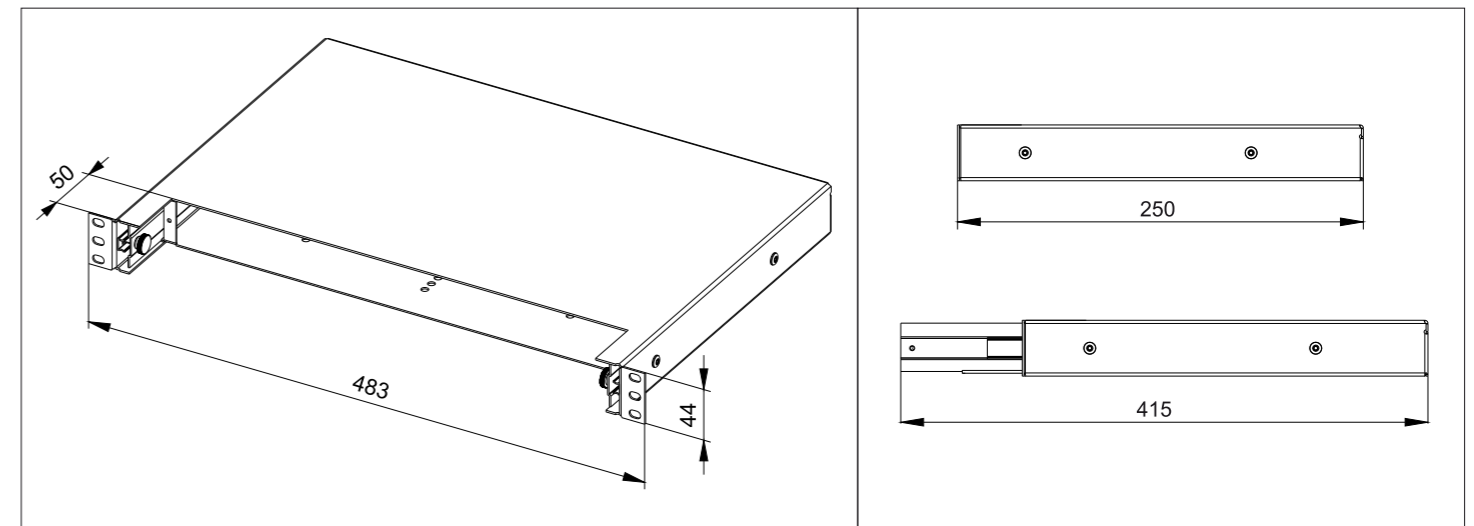
Example of code: OR-16DSC

Assembly and installation guide of telescopic fiber-optic splice box

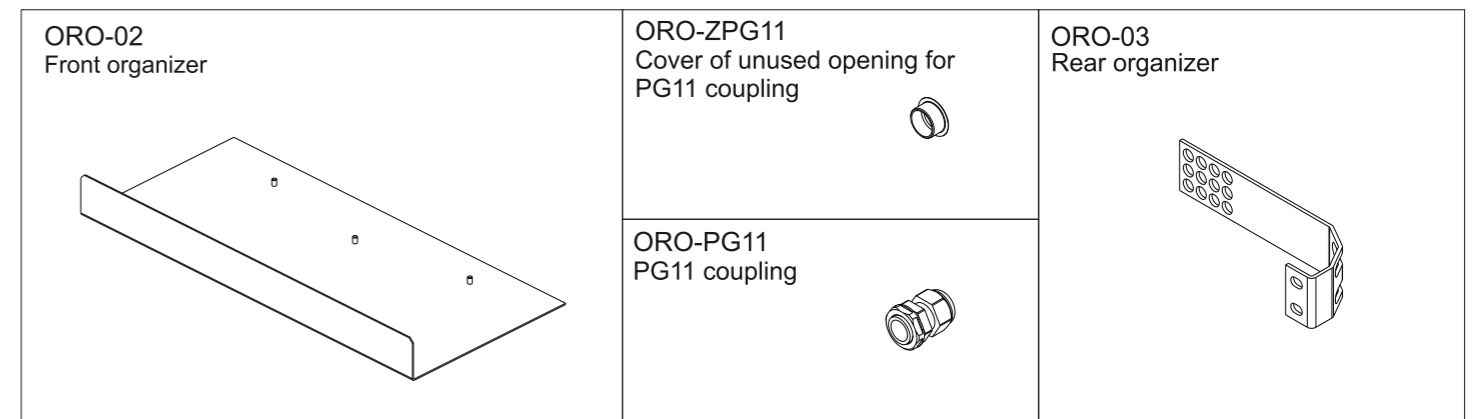
- Telescopic fiber-optic splice box with modular front panel consists of the following parts:
 - 1) Fixed part of FO box
 - 2) Telescopic part of FO box
- FO box is installed in 19" extrusions by using mounting kits (DP-MO-01).
- Loosening two adjustable screws by about 6mm will enable pulling out telescopic part.
- To take out telescopic part, unscrew two controlling elements. After that remove telescopic part by sliding it out of rails.
- To install back, reverse the process.
- Two ways of fixing incoming cables:
 - 1) PG11 couplings (angle of incoming cable is possible to adjust as needed by bending openings with PG couplings)
 - 2) Bending openings for PG couplings, then leading cable through open entry and fixing (cable ties) to perforation by the entry.



Measurements of FO splice boxes



Optional accessories



Additional accessories for cable managing

- a) Front organizer (ORO-02) for horizontal cable managing. Installation by 3 nuts M4 on bottom telescopic part of FO box. Depth of front organizer can be adjusted - 67, 77, or 87mm.
- b) Rear organizer (ORO-03) is used for managing incoming cables, see section 2 above.

980 023 REV. B